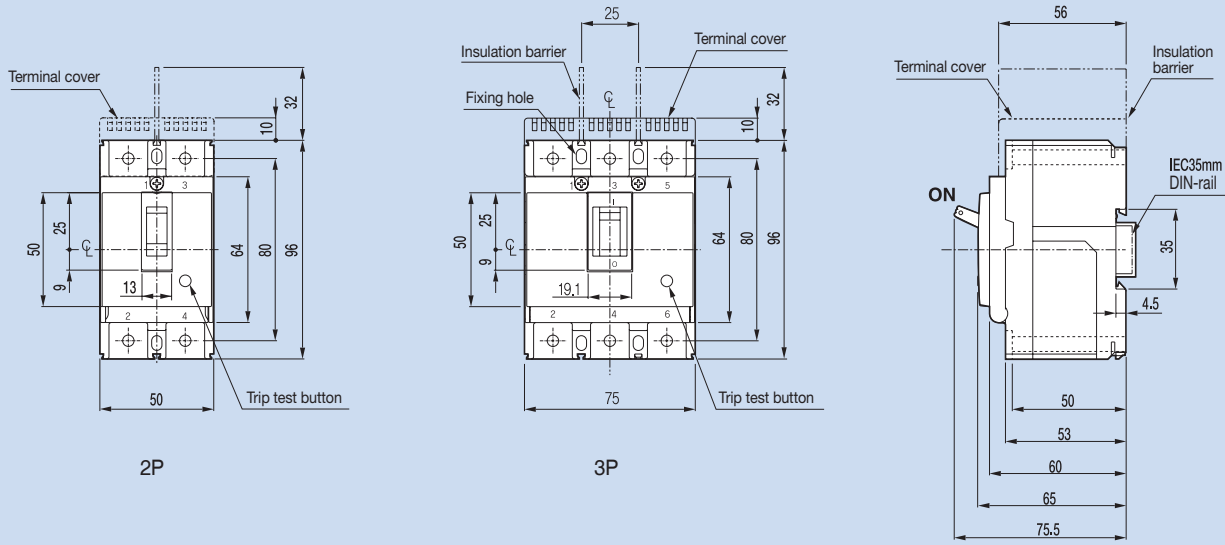


Dimensions

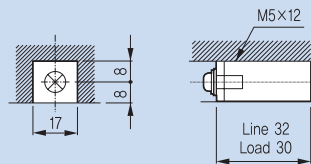
MCCB

ABE30b

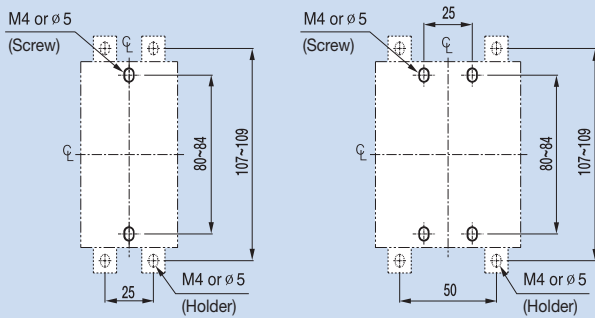
(Unit: mm)



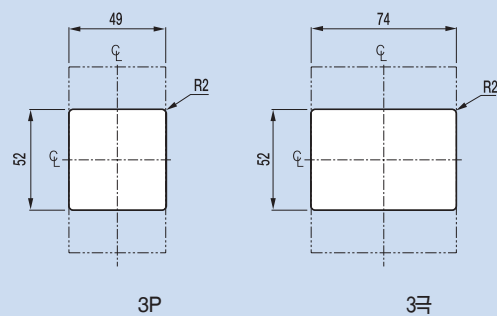
Terminal details



Panel drilling



Front panel cutting

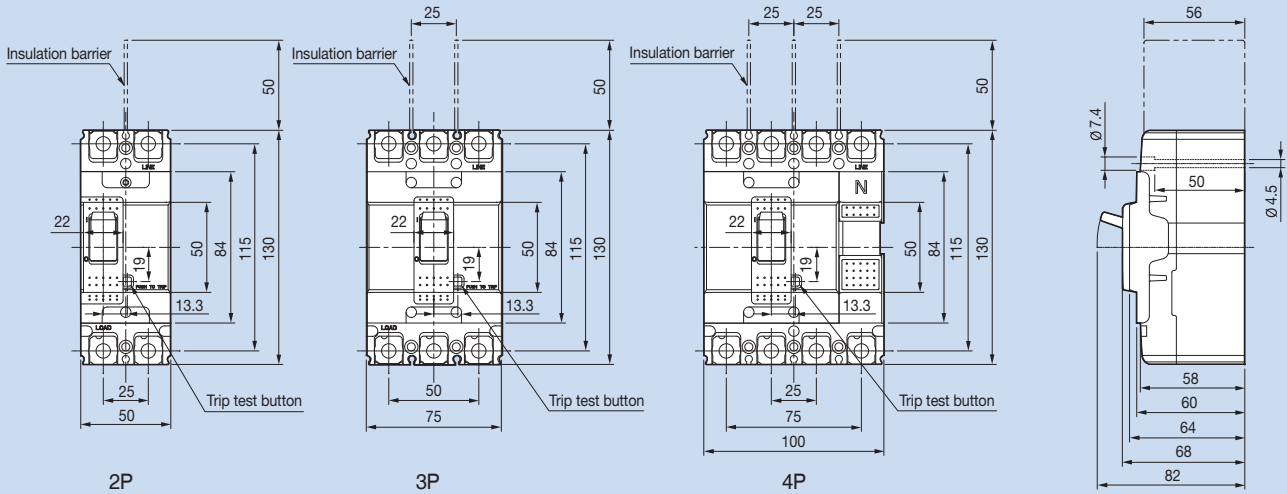


Dimensions

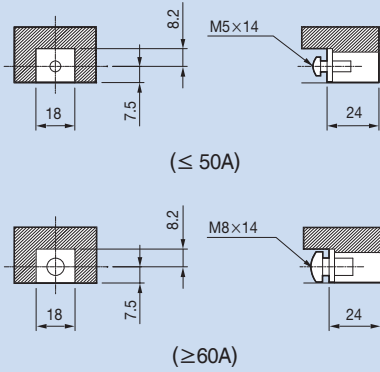
MCCB

ABN50c	ABS30c
ABN60c	ABS50c
ABN100c/100e	ABS60c

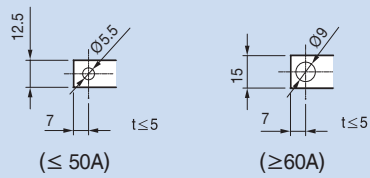
(Unit: mm)



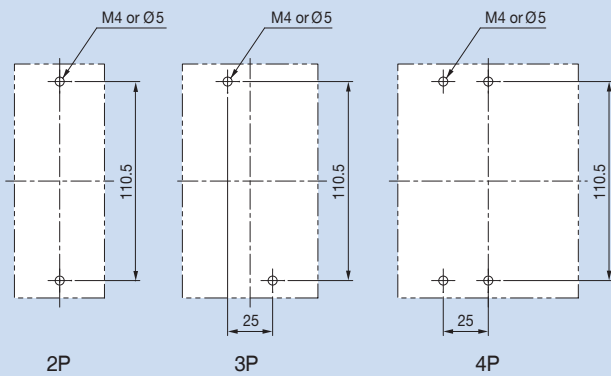
Terminal details



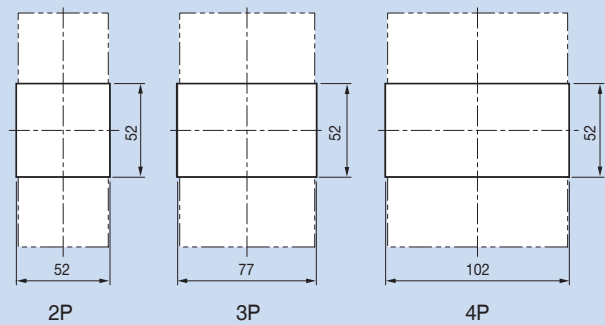
Connecting



Panel drilling



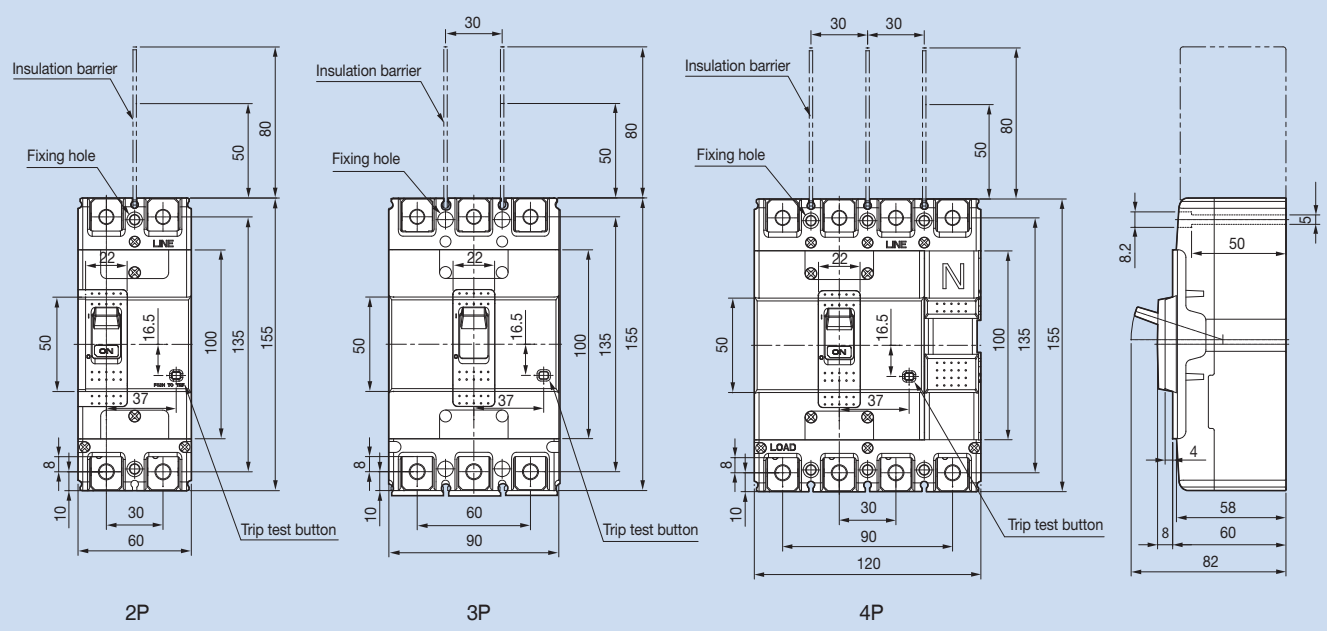
Front panel cutting



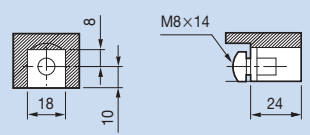
MCCB

- ABS125c
- ABH50c
- ABH125c
- ABL125c

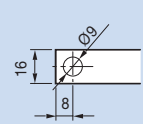
(Unit: mm)



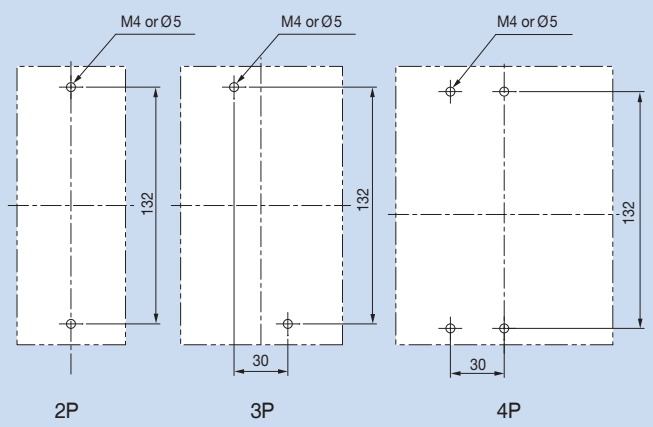
Terminal details



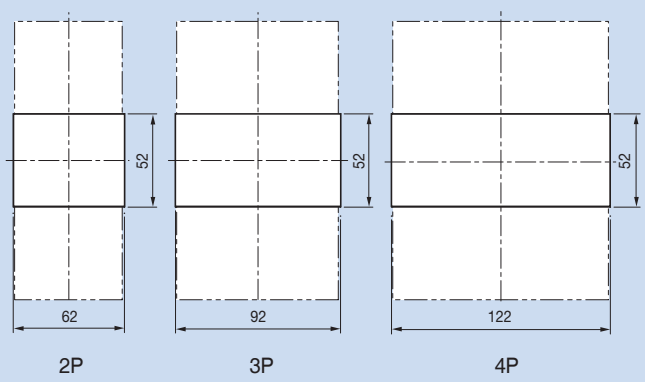
Connecting



Panel drilling



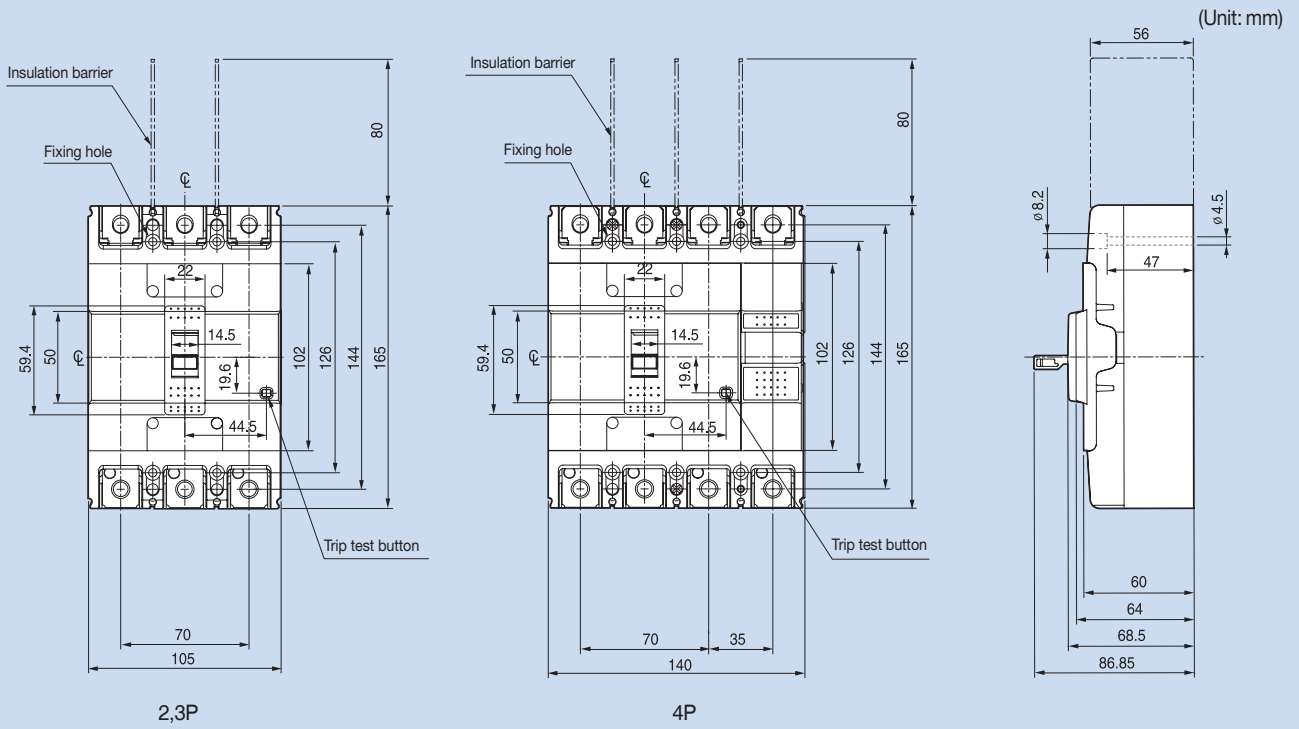
Front panel cutting



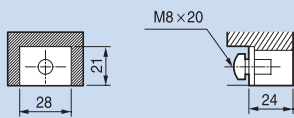
Dimensions

MCCB

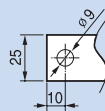
- ABN250c
- ABS250c
- ABH250c
- ABL250c



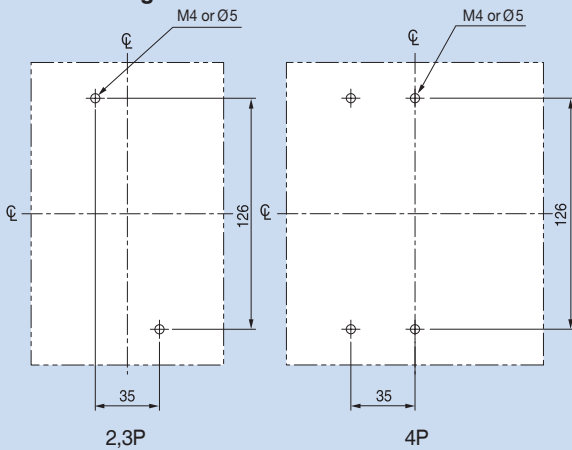
Terminal details



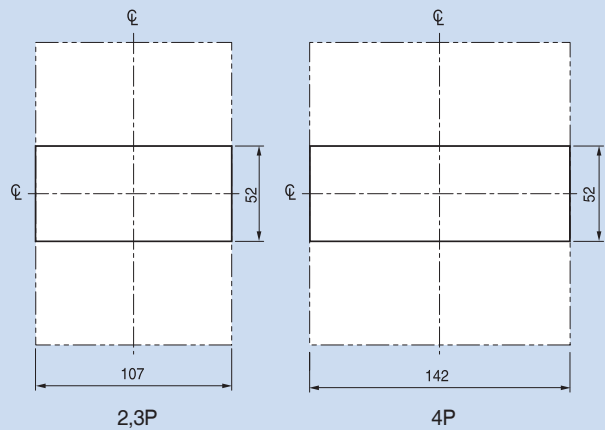
Connecting



Panel drilling



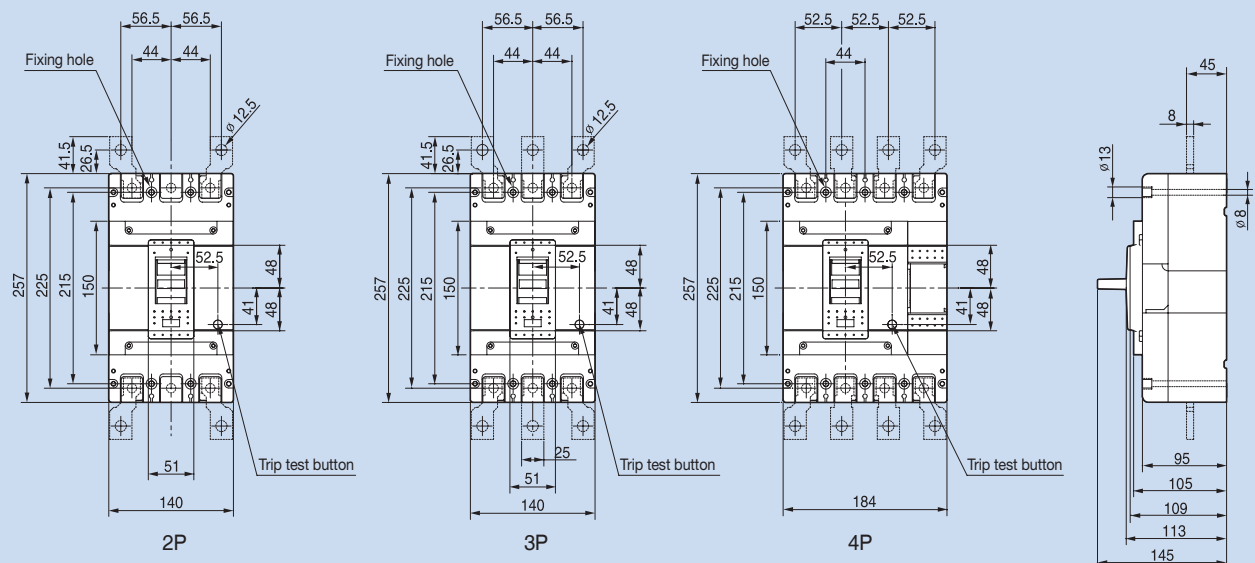
Front panel cutting



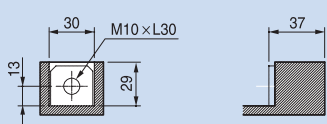
MCCB

- ABN400c
- ABS400c
- ABH400c
- ABL400c

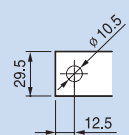
(Unit: mm)



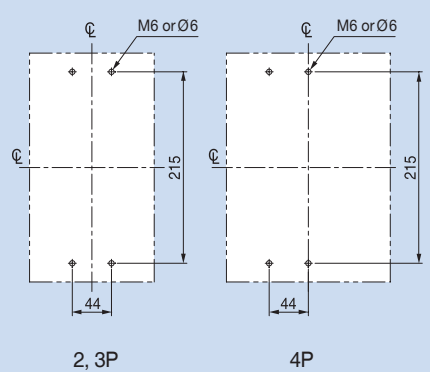
Terminal details



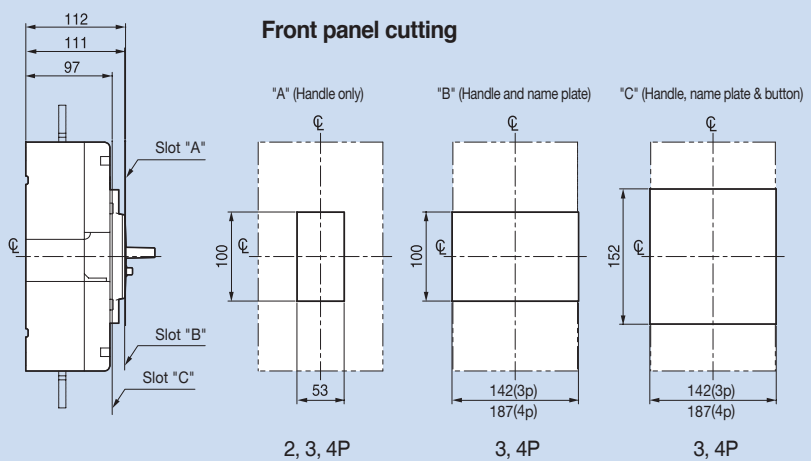
Connecting



Panel drilling



Front panel cutting



Dimensions

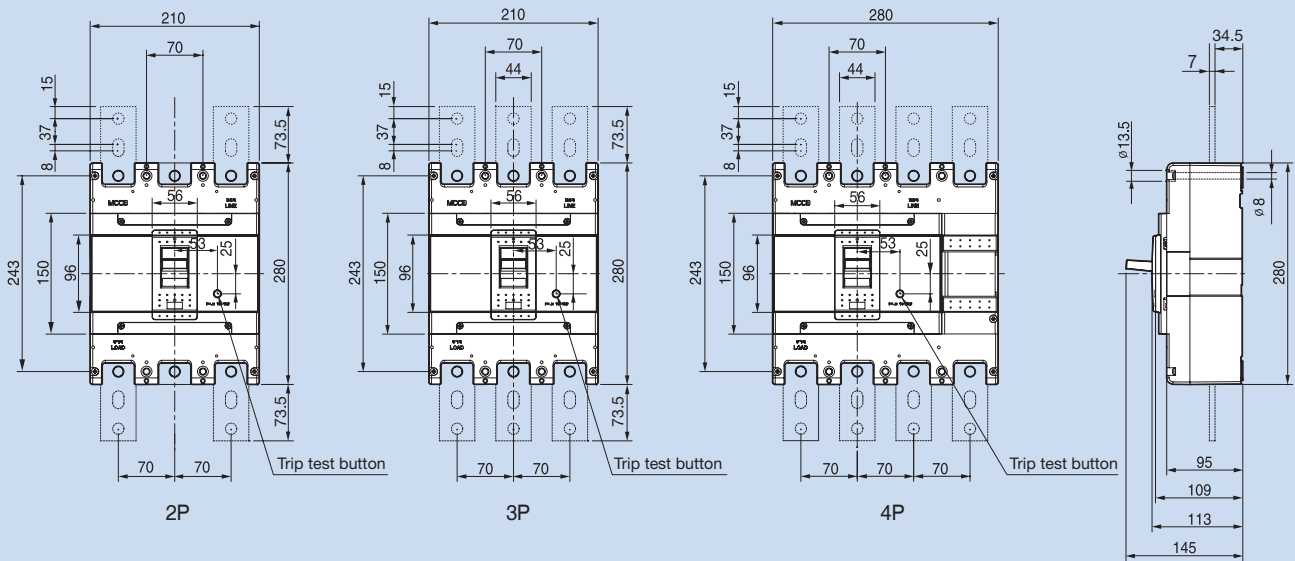
MCCB

ABN800c

ABS800c

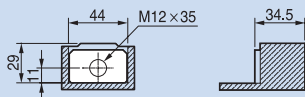
ABL800c

(Unit: mm)

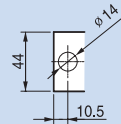


630AF : 7
800AF : 10

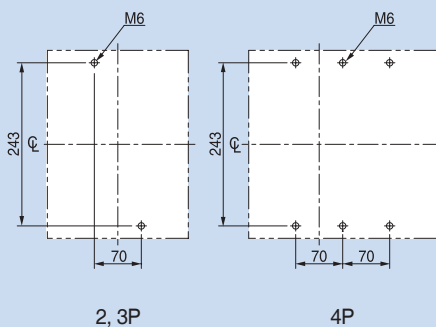
Terminal details



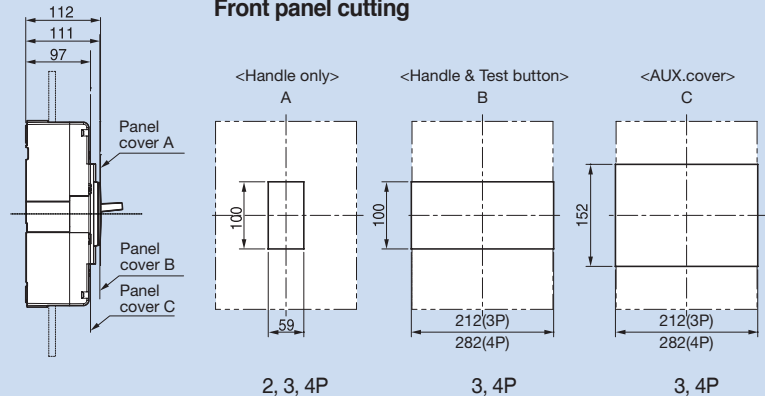
Connecting



Panel drilling



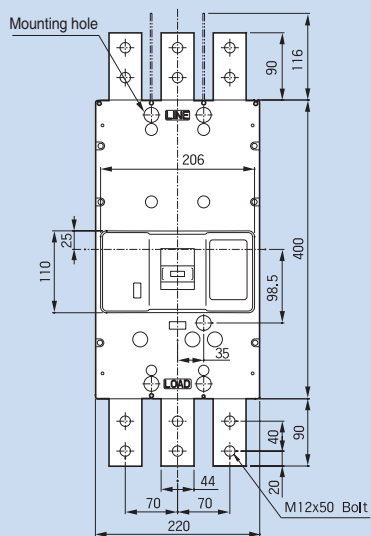
Front panel cutting



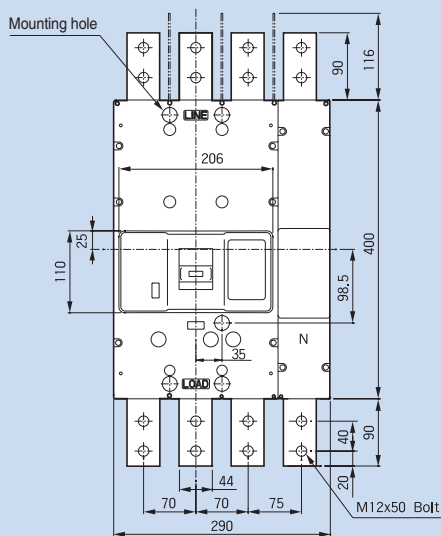
MCCB

- ABS1000b
- ABL1000b
- ABS1200b
- ABL1200b

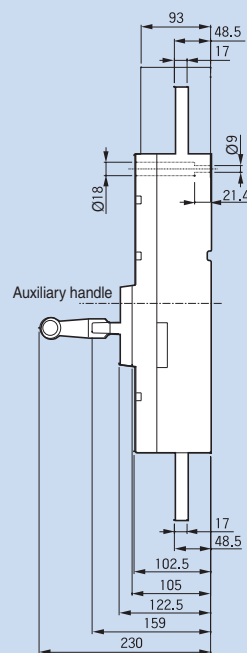
(Unit: mm)



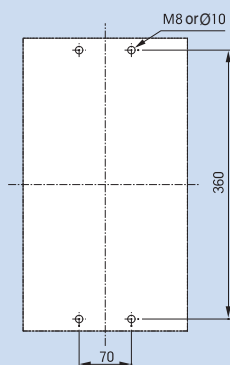
3P



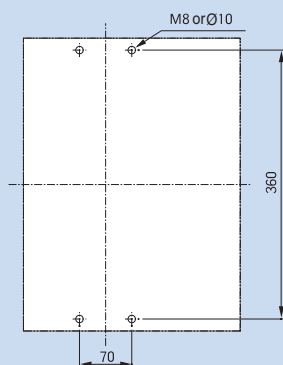
4P



Panel drilling

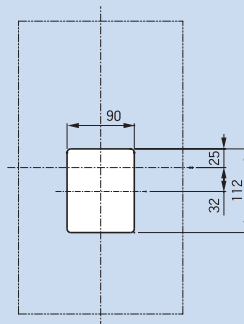


3P

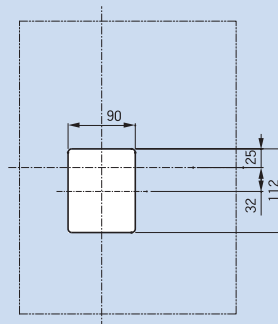


4P

Front panel cutting



3P



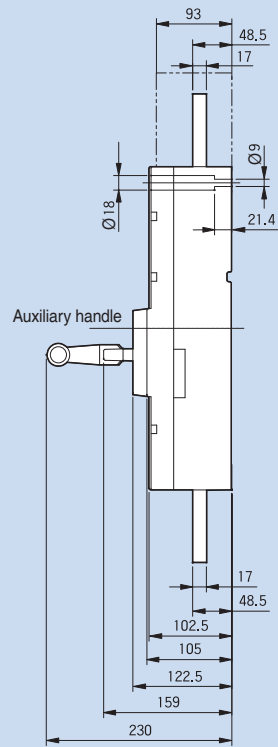
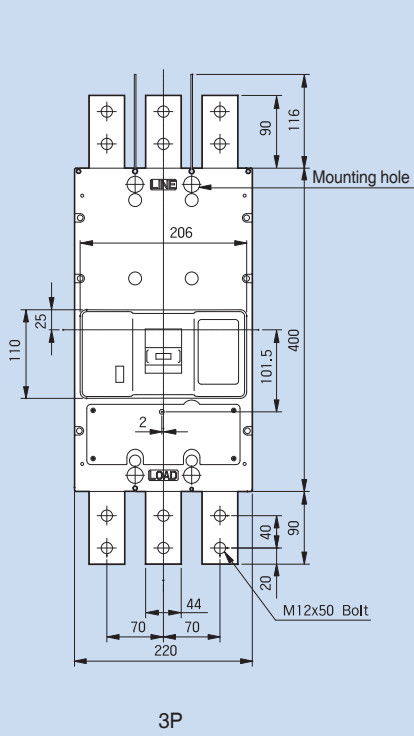
4P

Dimensions

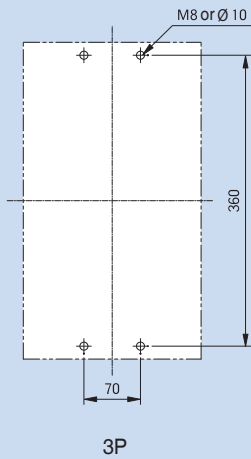
MCCB

ABS1203bE

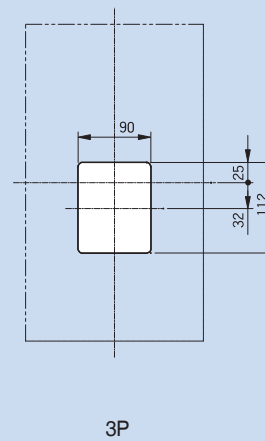
(Unit: mm)



Panel drilling

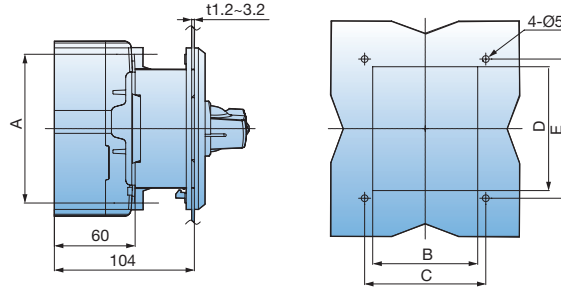


Front panel cutting



Rotary handles

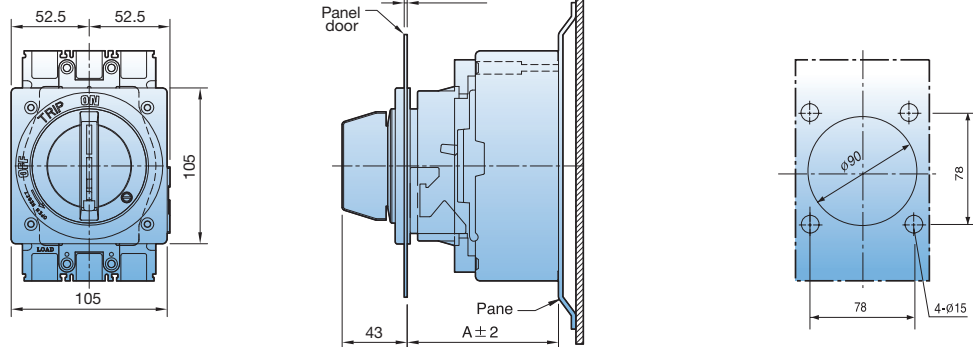
Direct mounting type (D-handle, 30~250AF)



Type	A (mm)	B (mm)	C (mm)	D (mm)	E (mm)	Remarks
DH100	110.5	78	90	92	103.4	100AF
DH125	132	94	105	108	120	125AF
DH250	126	108	121	110	122	250AF

Direct mounting type (N-handle, 30~250AF)

N-30c, 40c, 50c



N-handle	N-30c	N-40c	N-50c
Note	100AF	125AF	250AF
A (mm)	103	103	103

Direct mounting type (N-handle, 400~800AF)

N-70, N-80

