

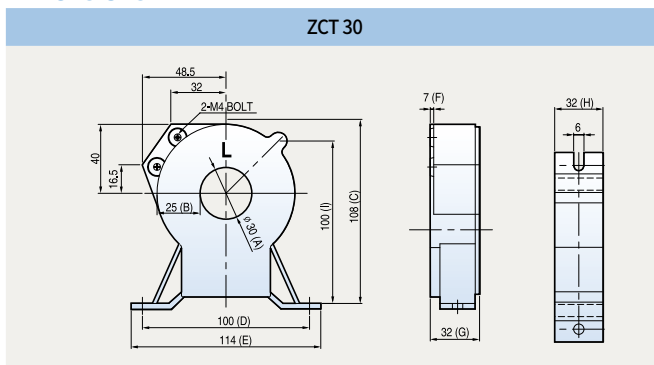
ZCT (Zero-phase Sequence Current Transformer) (Voltage output type)

Rated specifications

Unit : mm

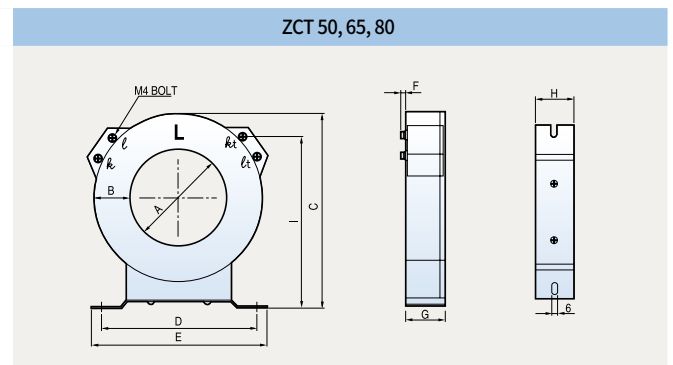
Code	Model name	Inside diameter (mm)	Zero phase current transformer ratio	Weight (kg)
76512121001	LZT-030	30	200mA/100mV (LS only)	0.5
76512121002	LZT-050	50		0.7
76512121003	LZT-065	65		0.9
76512121004	LZT-080	80		1.5

Dimensions



Unit : mm

Model name	A	B	C	D	E	F	G	H	I	Ø
LZT-030	30	25	108	100	114	7	32	32	110	6



Unit : mm

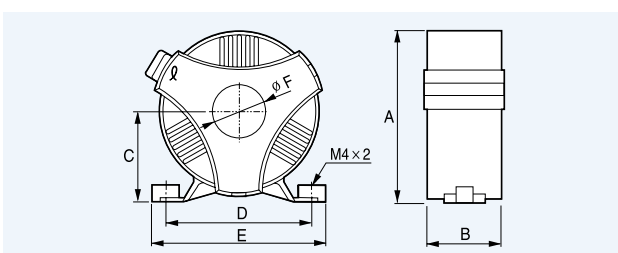
Model name	A	B	C	D	E	F	G	H	I	Ø
LZT-050	50	25	131	100	122	7	32	36	114	6
LZT-065	65	26	143	114	133	7	39	37	126	6
LZT-080	80	34	174	160	180	7	40	40	151	6

ZCT (Zero-phase Sequence Current Transformer) IMC-III only (Current output type)

Rated specifications

Code	Model name	Inside diameter (mm)	Zero phase current transformer ratio	Weight (kg)
76512532025	LZT-025 (I)	25	200mA/0.1mA	0.5
76512532040	LZT-040 (I)	40		0.8
76512532080	LZT-080 (I)	80		0.4

Dimensions



Dimension (mm)

Model name	A	B	C	D	E	ØF
LZT-025 (I)	81	43	43.5	68	81	25
LZT-040 (I)	101	43	53.5	88	101	40
LZT-080 (I)	146	43	76	133	146	80

Note) 1. This product is exclusively for IMC ZCT and must be used for IMC exclusive ZCT.

2. EMPR exclusive ZCT can't protect ground fault when used with IMC-III as secondary output is voltage output.

EMPR Optional accessories

CT (Current Transformer)

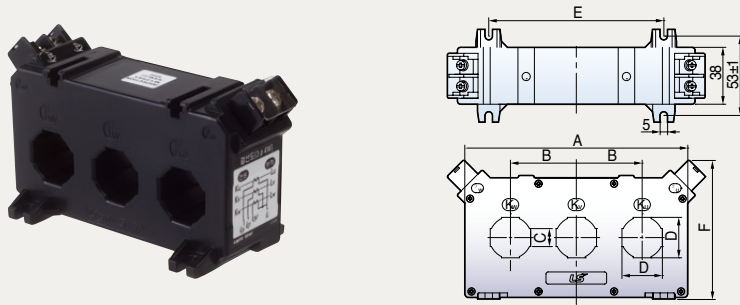
Rated specifications

Classification	Code	Model name	Primary current	Secondary current	Load(VA)	Penetrating hole [mm]	Upper installation EMPR	Remarks
3CT type	76012116026	3CT-23	50A	5A	1.5	21×21	GMP22/40/60T	1) Error class: Class 1.0 2) Insulation voltage: 690V 3) Withstanding voltage: 4kV/min 4) Overcurrent strength: 40 x 1n 5) Insulation resistance: 10MΩ (DC 500V Megger) 6) Frequency: 50/60Hz
	76012116011	3CT-23	80A					
	76012116012	3CT-23	100A					
	76012116013	3CT-23	150A					
	76012116014	3CT-23	180A					
	76012116015	3CT-23	200A					
	76012116016	3CT-43	100A			27×27	IMP/DMPi entire series GMP60-3T/3TN/3TZ GMP22/40/60T	
	76012116017	3CT-43	150A					
	76012116018	3CT-43	200A					
	76012116019	3CT-43	250A					
	76012116020	3CT-43	300A					
	76012116021	3CT-43	350A					
	76012116022	3CT-43	400A					
	76012116023	3CT-63	400A					
76012116024	3CT-63	500A	45×30					
76012116025	3CT-63	600A						
2CT type	76012116001	DCT-100	100A	5A	5	28.5×33.5	GMP22/40/60T	
	76012116002	DCT-150	150A					
	76012116003	DCT-200	200A					
	76012116004	DCT-300	300A					
	76012116005	DCT-400	400A					
1CT type	76012116006	SCT-100	100A	5A	5	27.5×32.5	IMP/DMPi entire series GMP60-3T/3TN/3TZ GMP22/40/60T	
	76012116007	SCT-150	150A					
	76012116008	SCT-200	200A					
	76012116009	SCT-300	300A					
	76012116010	SCT-400	400A					

*Note: If the CT secondary cable thickness is 2.5mm², the load of 3m is 0.52VA.

Dimensions

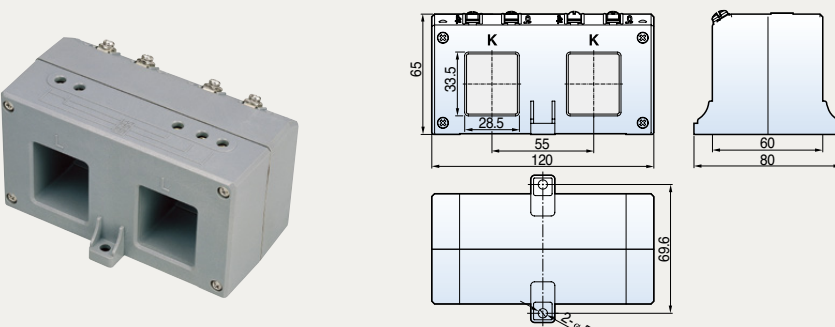
3CT type (3CT-□□□)



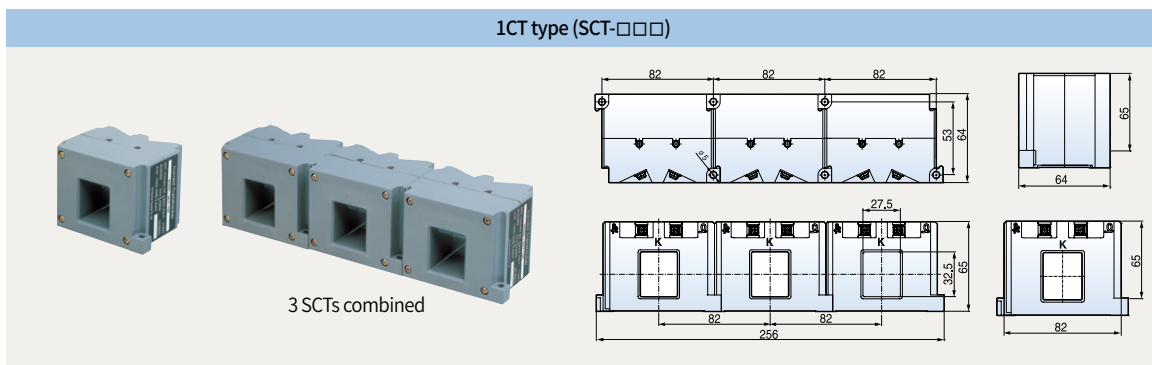
Type	3CT-23	3CT-43	3CT-63
A	119	149	218
B	35	44	70
C	9	12	20
D	21.5	27	45/30
E	89	117	183
F	76	91	94

Dimensions

2CT type (DCT-□□□)



Dimensions



Other options

Cable

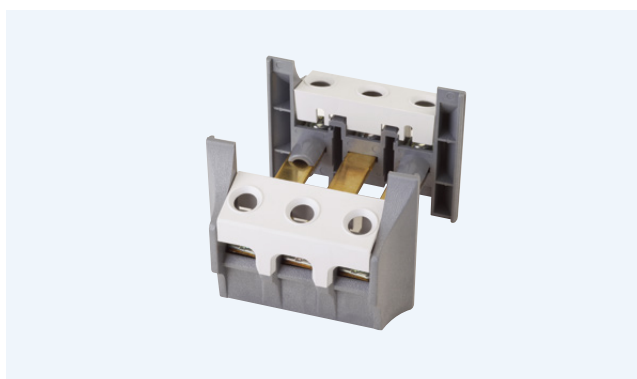


Applied products	IMP, DMPi series
Spec.	1m, 1.5m, 2m, 3m
purpose	For separated display installation



Applied products	MMP series
Spec.	1m, 1.5m, 2m, 3m
purpose	For separated display installation

Terminal block



Applied products	Terminal block with the application of GMP60-3T Series
Spec.	Less than 60A



Applied products	DMPi series
Spec.	Less than 65A