



## Features

Universal power relay for general applications.  
 Available in 2 & 3 change-over contacts with max. current 10 A - 250 VAC1 / 28 VDC1.  
 Nominal power DC 1,5 W & AC 2,7 VA.  
 Available with and without led for AC/DC relays. Diode only available for DC.  
 Socket terminals, 8 pins plug-in for 2 contacts and 11 pins plug in for 3 contacts.  
 Insulation: IEC61810-1 - 2,5 KV/3.  
 Pollution degree: 2.  
 Approvals: CE, UL.  
 Protection class: IP40.  
 European Patent.

## Coil ratings

Nominal voltage VDC	6	12	24	48	60	115	220
Resistance ( $\Omega \pm 15\%$ )	28,4	100	430	1,5k	2,33k	8,1k	32,6k
Nominal voltage VAC	6	12	24	48	60	120	230
Resistance ( $\Omega \pm 15\%$ )	4,2	19,5	73,6	284	-	1,5k	6,3k

## Coil values at 25°C

	VDC	VAC 50HZ
Operating range	0,8 - 1,1 Un	0,8 - 1,1 Un
Max. drop-out voltage	$\geq 15\% Un$	$\geq 30\% Un$

## Contacts

Contact arrangement: 2C & 3C.  
 Max. contact power: 2500 VA / 280 W.  
 Max. voltage: 250 VAC / 220 VDC.  
 Max. current: 10A ( 250 VAC1 / 28VDC1 ).  
 Maximum breaking capacity: 110V DC  $\rightarrow$  0,4A  
 220V DC  $\rightarrow$  0,15-0,20A  
 Contact resistance:  $\leq 50$  m $\Omega$ .  
 Contact material: Silver alloy ( m+Ag+Hi ).

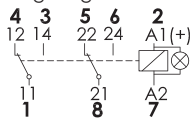


RMS2-T Relay 8 pins 2 contacts

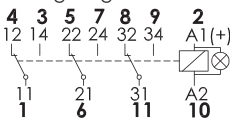


RMS3-T Relay 11 pins 3 contacts

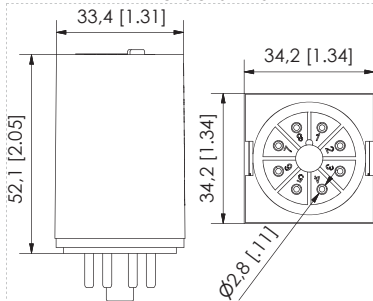
Wiring diagram RMS2-T



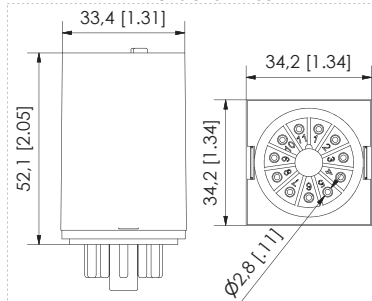
Wiring diagram RMS3-T



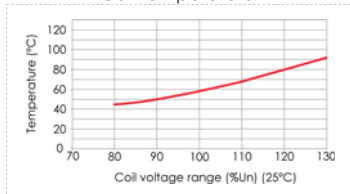
Dimensions RMS2-T



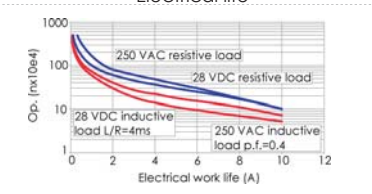
Dimensions RMS3-T



Coil temperature



Electrical life

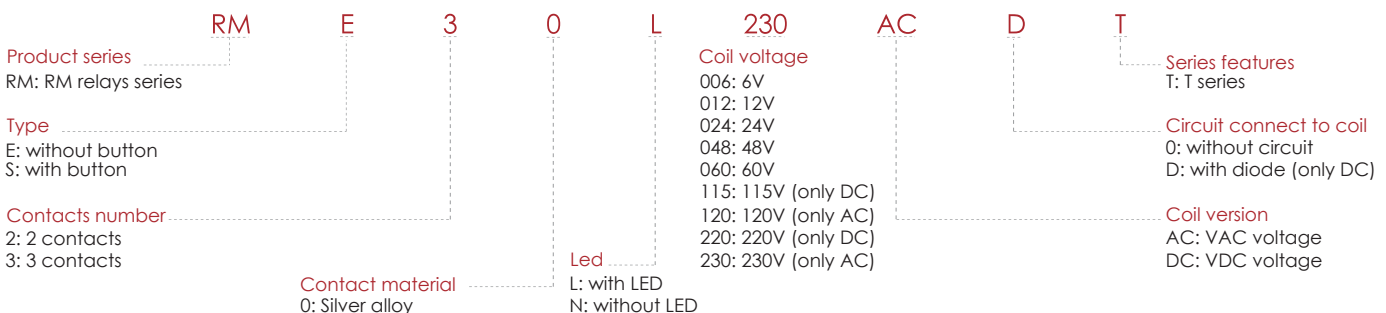


## Specification RM

Electrical life	$\geq 10^5$ cycles
Mechanical life	$\geq 10^7$ cycles
Insulation resistance	$\leq 1000M\Omega(500VDC)$
Operation time	$\leq 30$ ms
Operation frequency	1200op/h at nominal load
Release time	$\leq 20$ ms
Dielectric strength at 1mA	2.500VAC/1min(between coil and contacts) 1.000VAC/1min(between contacts)
Vibration resistance	10 - 50Hz (Double width 1,5mm)
Shock resistance	10g
Room temperature	-40 °C +65 °C
Room humidity	35% -85% RH
Atmospheric pressure	86 - 106 KPa
Weight	80 gr
Pack units	20

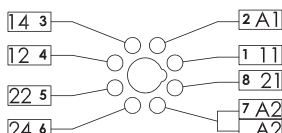
## References RM-T relays

Example: Relay RM. 3 contacts, 230VAC coil voltage, with LED.

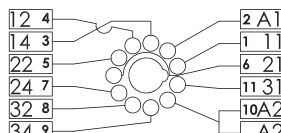




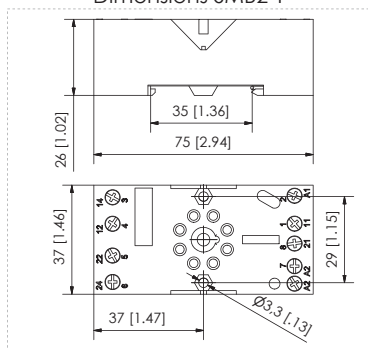
**SMB2-T** Socket  
Wiring diagram SMB2-T



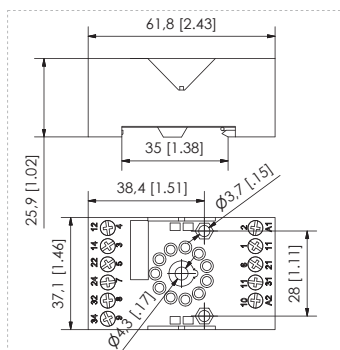
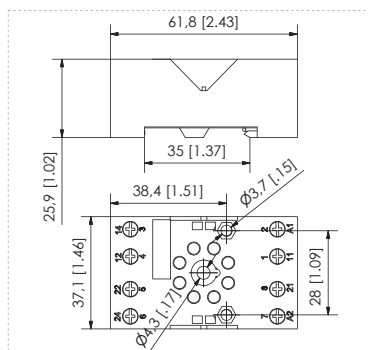
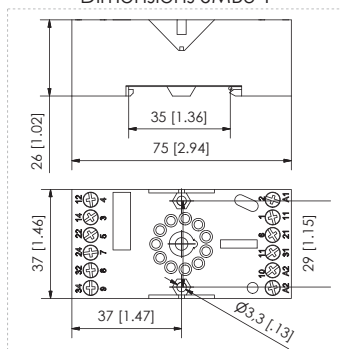
**SMB3-T** Socket  
Wiring diagram SMB3-T



Dimensions SMB2-T



Dimensions SMB3-T



## References socket SMB-T

SMB21D10T	Long sockets for RM2 black
SMB21D11T	Short sockets for RM2 black
SMB20D11T	Short sockets for RM2 grey
SMB31D10T	Long sockets for RM3 black
SMB31D11T	Short sockets for RM3 black
SMB30D11T	Short sockets for RM3 grey

## Accessories for relays

Mechanical indication and a wide window.  
3-sequential-position test button (free, check, lock).  
With colours for an easier identification of coil voltage (DC Blue, AC Red).  
Technical information and coil voltage in frontal side printed.

## Features

- DIN rail (35 mm, t35) or panel mounting (EN 60715).
- DIN/EN sequential numbering.
- IEC / EN 61812/1/4 compliant.
- Clip and label included.
- Electronic modules allowed.

## Specifications SMB2-T and SMB3-T

Nominal load	10 A / 400 VAC
Dielectric strength (Vrms/1min)	2,5 KV
Max. screw torque	1,2 Nm
Screws	M3 Steel. Pozi drive
Wire in lets capacity: solid wire	4 mm <sup>2</sup> or 2 x 2,25 mm <sup>2</sup>
Wire in lets capacity: multi-core	22 - 14 AWG MAX (1X12 /2X14 AWG)
Weight	≤60gr
Room temperature	-40°C to 70°C
Pack Units	10
Protection category	IP 20

## SMB2-T & SMB3-T (short sockets)

Weight	≤50gr
--------	-------

